

# CubeTE

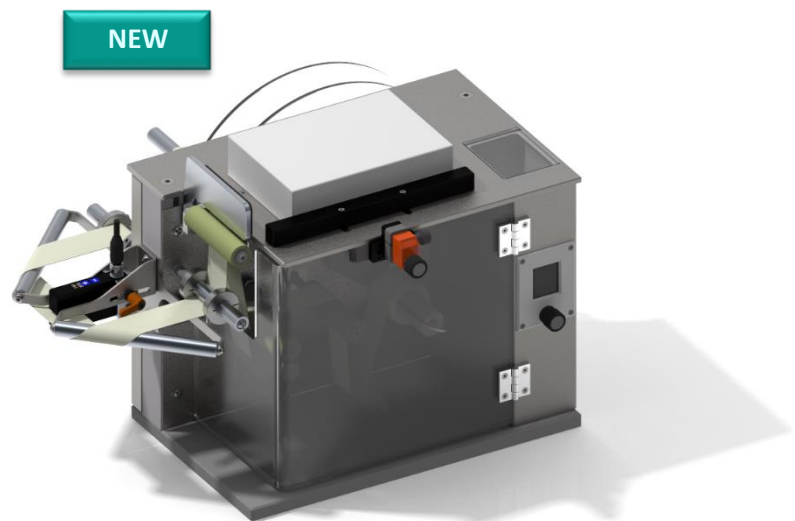
Manual Temper Evident application system

## Tamper Evident – Track & Trace – Serialization

**We create the prerequisites for the foolproof production of tamper-proof sealing of folding boxes!**

Through ...

- a simple compact device, which is operated manually
- the intelligent label tape deflection very space-saving
- Tamper evident closure with Tamper Evident seal
- the handiness of a small tabletop device flexible to use
- High-quality use of materials and compact design with closed surfaces also visually an "eye-catcher"



... the **CubeTE** is tailored to the production of manageable batches in the pharmaceutical industry

This enables you to meet the legal requirements for the Europe-wide counterfeit security system for the prevention of drug counterfeiting (EU Directive 2011/62/EU). A central component, in addition to the clear security labeling for database-supported traceability, is the withdrawal-proof sealing of each individual package. This is exactly what our new CubeTE is perfectly suited for!

- ➔ Manual semi-labeling and corner rolling in one complete manual operation!
- ➔ Simplest handling and possible use of your existing TE label material!
- ➔ Hardly any electronics, lots of ingenious mechanics and a 230 V power connection - that's all you need!
- ➔ Processing of TE labels up to 60 mm width/diameter, also fully transparent, possible!

**Perfect solution for the small production batches**

**More info**

➔ E-Mail: [info@systec-service.de](mailto:info@systec-service.de) ➔ Phone sales: 06151- 6069640

# CubeTE

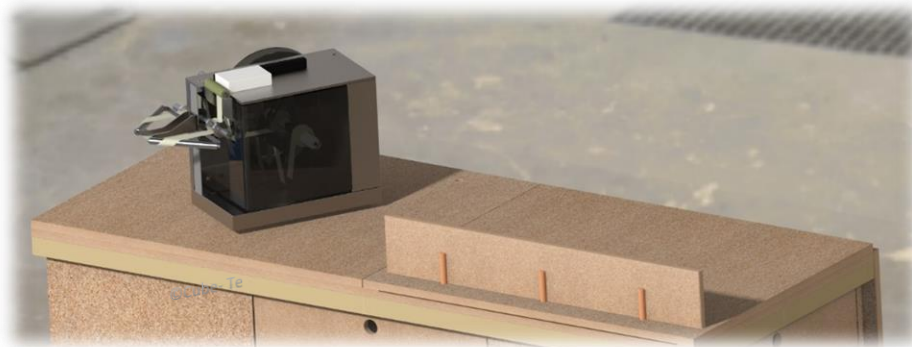
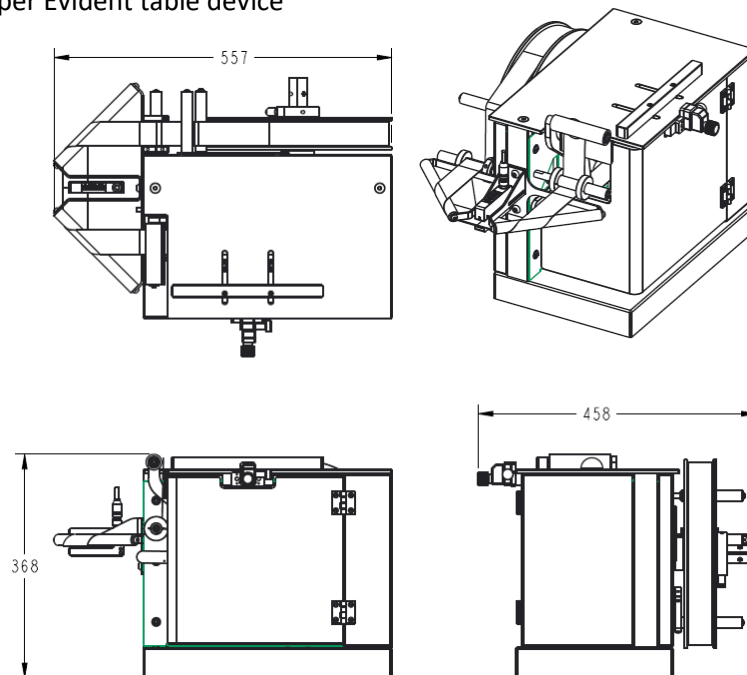
Manual Tamper Evident application system

# SysTec

GmbH Systemintegration und Service  
Daniel-Müllerstrasse 2 D- 64347 Griesheim  
Phone: +49(0)6155 / 6069640  
Fax: +49(0)6155 / 6069641  
Mail: [info@systec-service.de](mailto:info@systec-service.de)  
[www.systec-packaging-control.de](http://www.systec-packaging-control.de)

## Technical data

- Standalone system with very compact dimensions (W x H x D: 460 x 370 x 560 mm)
- Tamper-evident label tape widths up to 60 mm, special widths on request
- Label tape roll diameter up to max. 300 mm, core diameter 30-76 mm
- Processing of label tape with outer and inner winding of labels
- Folding box widths up to 140 mm can be processed well, excess widths on request
- Mains voltage 230 V AC, power consumption in operation only approx. 10W
- mobile tamper Evident table device



**Perfect solution for the small production batches**

### More info

→ E-Mail: [info@systec-service.de](mailto:info@systec-service.de) → Phone sales: 06151- 6069640